

CAB-3F SERIES INSTALLATION DOCUMENT

General

All cabinets for the Sensiscan 2000 are fabricated from 16 gauge steel. The cabinet assembly consists of two basic components:

Backbox (SBB-X3F)
Locking Door (DR-X3F)

All cabinet parts are FIRE•LITE gray with navy blue Lexan® Windows. This produces a tasteful combination, accenting the decor of the finest lobby setting.

Provided with the key-locked door are a pin-type hinge, a Lexan® window, two keys and the necessary hardware to mount the door to the backbox.

The backbox has been engineered to provide ease-of-entry for the installer. Knockouts are positioned at numerous points to aid the installer in bringing conduit into the enclosure with a minimum of hardship.

Hinges are field-selectable for either left or right hand mounting. Door opens 180°.

Cabinets are available in two (2 sizes, (A & B). The outside dimensions are noted on each enclosure diagram. A trim ring option is available for semi-flush mounting.

Product Line Information

Each cabinet is available as a separate backbox and door assembly. Use the following model numbers to order each backbox and door assembly.

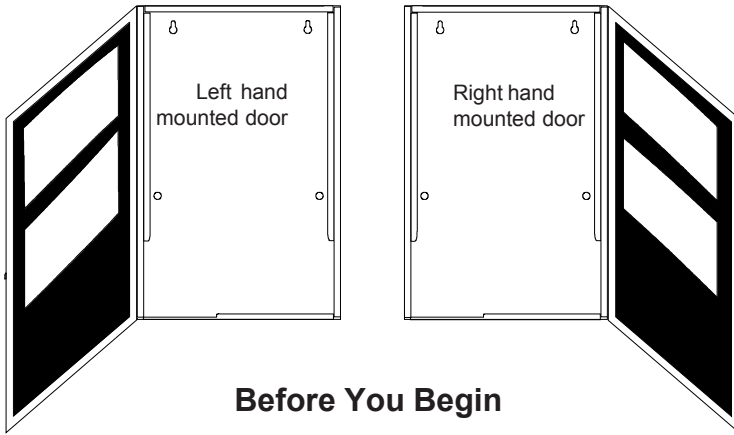
Model	Description
CAB-A3F	Cabinet and door assembly. (1) mounting tier.
CAB-B3F	Cabinet and door assembly. (2) mounting tiers.

Accessories Description

DR-A3F	Door only, A style, (1) tier.
SBB-A3F	Backbox only, A style, (1) tier.
TR-A3F	Trim ring for use with A style. (26-5/16"W by 22-5/16"H)
DR-B3F	Door only, B style, (2) tiers.
SBB-B3F	Backbox only, B style, (2) tiers.
TR-B3F	Trim ring for use with B style. (26-5/16"W by 30-13/16"H)
WC-2	Wire channel. Provides a pair of wire trays to neatly route wire between CHS Series chassis. Order one pair per chassis.

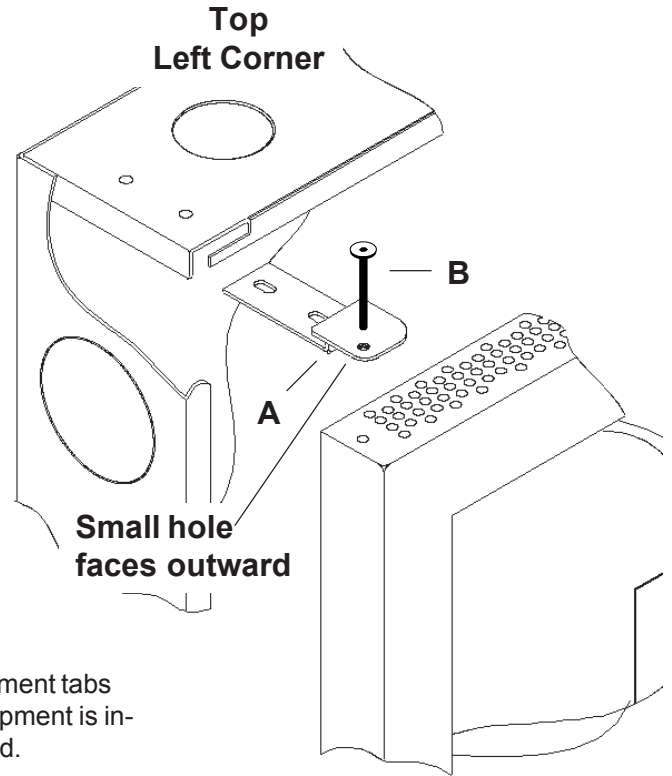


12 Clintonville Road
Northford, Ct. 06472
Phone (203) 484-7161
Fax (203) 484-7118



Before You Begin

The option of mounting doors in either a left/right hand configuration will aid in installation and service when two control panels are mounted in a confined area or side by side (as shown). In this manner the doors can be opened "barn door" style, permitting an open work space. Note that in this type of installation it is necessary to leave enough space between cabinets to insert a key into the locks on the door frames.

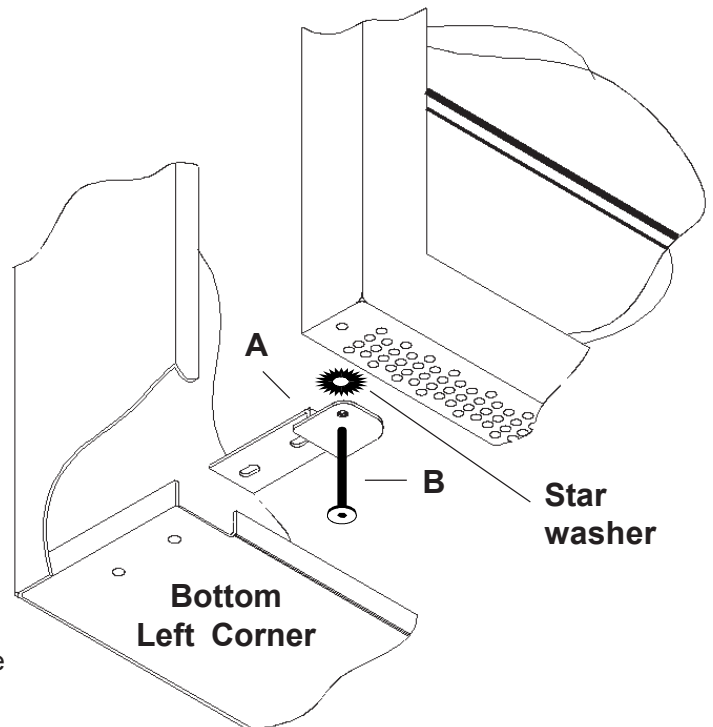


IMPORTANT NOTE: The two hinges and two alignment tabs should be attached to the backbox before any equipment is installed. With chassis, installed space is very limited.

Door Assembly Instructions

Hinges can be either left or right-hand mounted. The illustrations and text depict a left hand mounted example. For a right hand mounting, simply substitute right for left in the instructions.

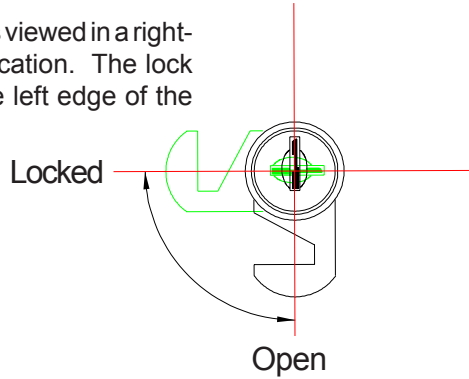
1. Insert door hinges (A) into the top and bottom slots of the side to be hinged (in this case the LEFT side). Secure the hinges to the studs in the backbox with the nuts provided. Note that the small hole on the outer tab faces outward.
2. Thread stud (B) into the BOTTOM hinge first. Thread from the bottom up. Place the grounding star washer on the stud. Place the door's lower corner onto this stud. Placing the door on the lower stud first provides a place for the door to rest while you complete the assembly.
3. Align the door on the backbox so that the door sits directly under the top hinge. Thread remaining stud (B) into the TOP hinge and through the hole in the top of the door. Your door should now swing freely.



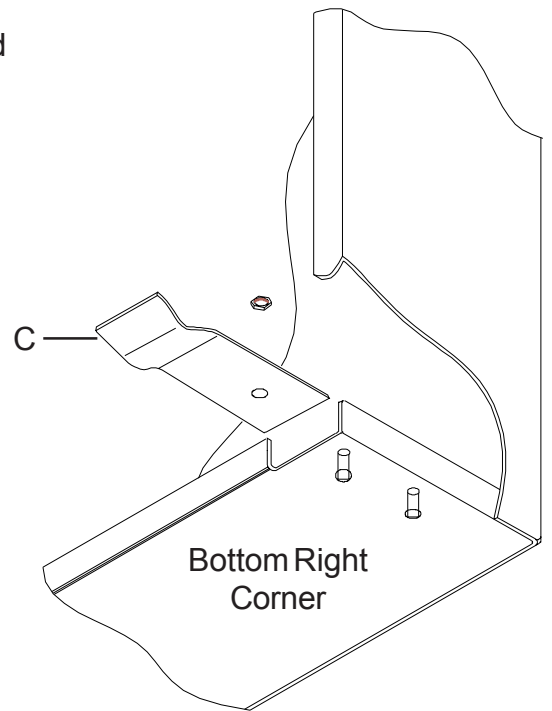
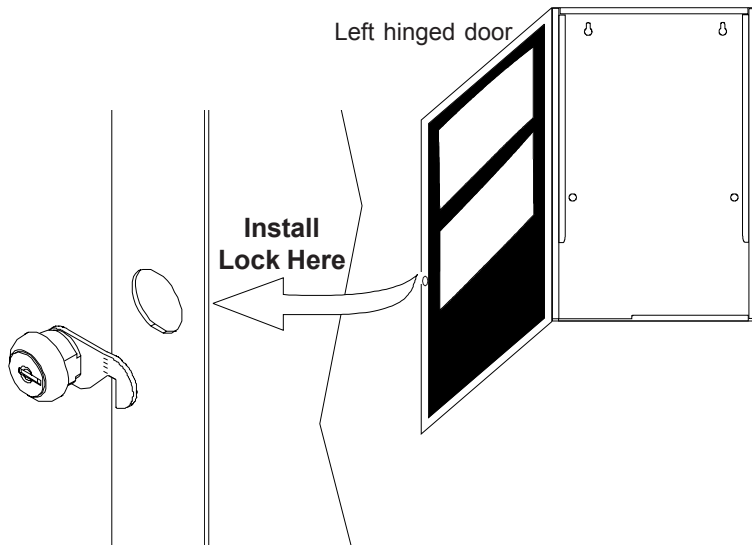
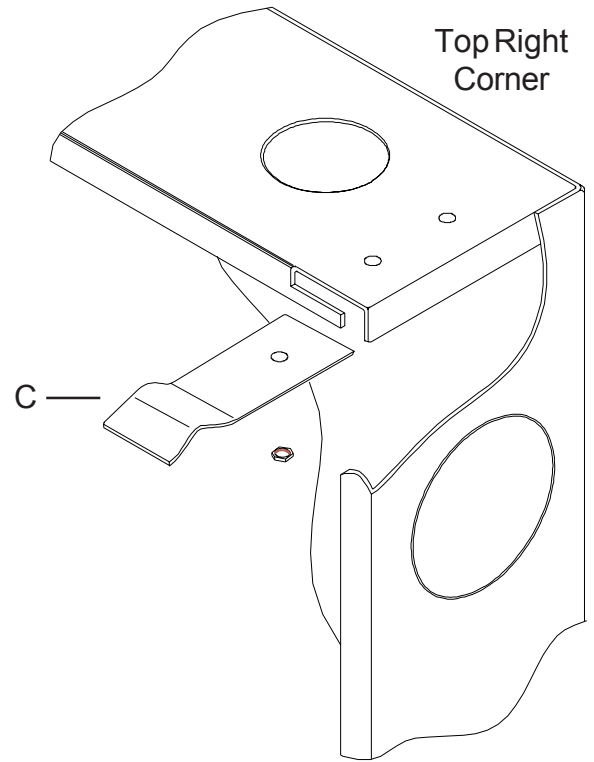
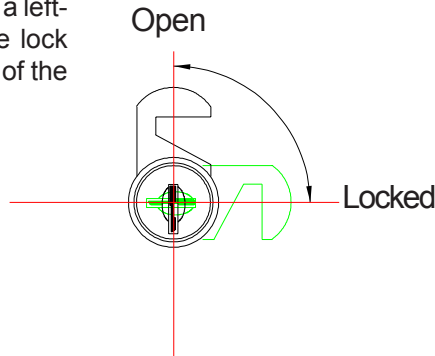
4. Install the door alignment tabs (C) in the unused slots on the backbox (top and bottom). (In this example the door was mounted on the left, leaving the unused slots on the right). Secure alignment tab (C) to top PEM stud with nut provided. These tabs align the door correctly with the backbox and prevent the door from being "skewed" open.

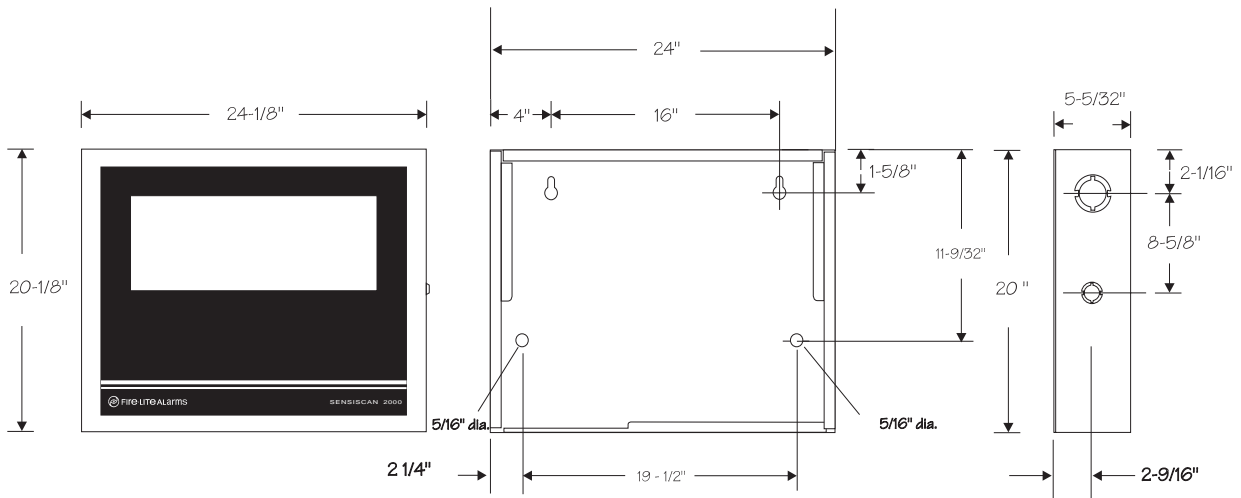
5. Punch out the knockout for the door lock and install the snap-in lock mechanism by pressing it into the hole. Be sure to do this LAST, so you will be sure to knock out the correct side.

The lock mechanism as viewed in a right-hinged mounting application. The lock would be placed in the left edge of the door.

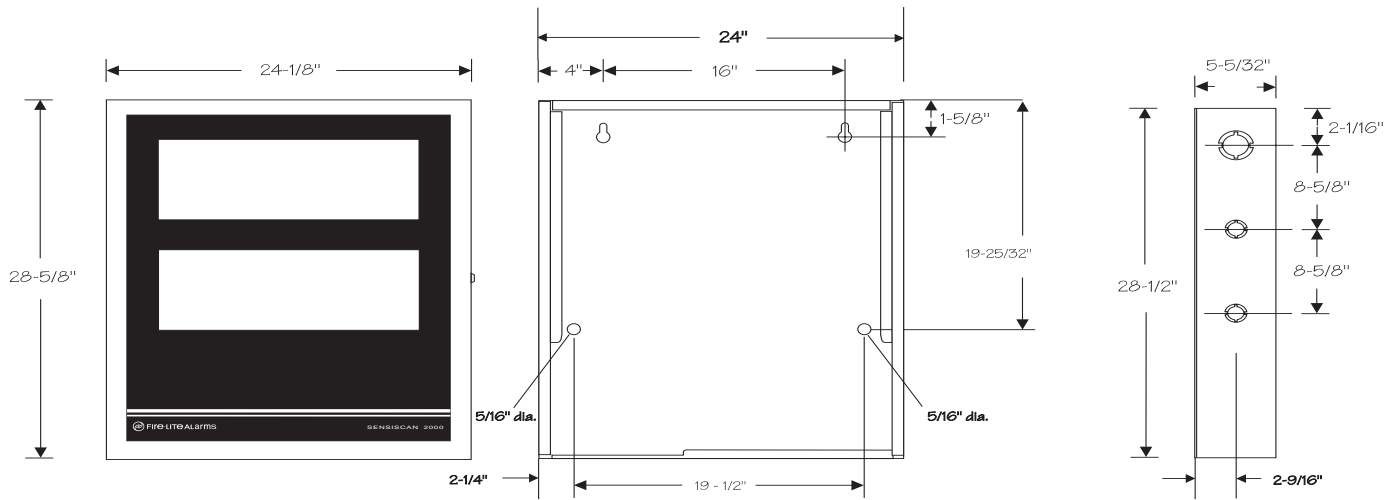


The lock mechanism as viewed in a left-hinged mounting application. The lock would be placed in the right edge of the door (as shown below).





CAB-A3F



CAB-B3F